



Intelligent Network Camera

NT4100PT-IR-Z37W

PTZ | Optical 37x | AI Object Detection | ONVIF | H.265 | PoE+

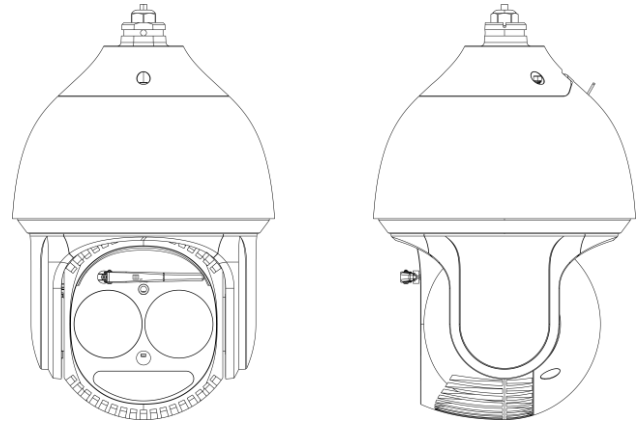


Key Features

- 1/2.8" Sony STARVIS CMOS sensor
- 4MP(2560×1440) resolution
- 37x(5.6~208mm) optical zoom
- Low luminance 0Lux (IR LED on)
- Smart IR / IR distance Max. 500m
- Deep-learning Engine
- AI-based object detection and tracking (person/vehicle)
- Smart detection and border protection
- Applying stealth technology
- H.265 / H.264
- DC 24V / PoE+(802.3.bt)
- IP67, IK10

Dimension

(Φ 278 × 435mm)



Tech Note

AI SoC and high-sensitive Image Sensor

By applying AI SoC and Sony STARVIS CMOS sensor, the bright and clear image quality is implemented even in low-light environments and reliable AI results are provided

Smart Tracking

Deep-learning based engine can detect objects (person / vehicle)

If illegal intrusion is detected, follow up with PTZ camera till it is out of the limited area

Stealth Technology

Stealth driving technology allows smooth rotation and PTZ operation without vibration

H.265 supports

By high efficient compressing images, it can save up to 80% of bandwidth and storage space compared to H.264

ONVIF supports

ONVIF, a standard protocol, for compatibility and interoperability with third-party software and systems



DVR/NVR



CAMERA



ACCESSORY



SOFTWARE

Intelligent Network Camera

NT4100PT-IR-Z37W



Camera Module	
Image Sensor	1/1.8" progressive scan CMOS
Mini. Illumination	Color : 0.005Lux @ (F1.5 , AGC ON) B/W : 0.001Lux @ (F1.5 , AGC ON) 0 Lux with IR
Image setting	Flip, Mirror, Saturation, Brightness, Contrast, Sharpness, AGC, and AWB adjusted by client software / browser
Shutter Speed	1/1 s - 1/100,000 s
White Balance	Auto / Manual / Indoor / Outdoor
Gain	Auto/Manual
Day & Night	IR Cut filter
3D DNR	Auto / Manual
Image Enhancement	BLC, HLC, WDR(120 dB)
Privacy Mask	4 Programmable privacy masks
Lens	
Focus length	F=5.6-208mm lens, 37x optical zoom
Zoom Speed	Approx. 4.4s (optical zoom, wide-tele)
Field of View	Horizontal:59.8° to 2.0°(wide-tele) Vertical: 33.6° to 1.1°(wide-tele) Diagonal: 68.6° to 2.3°(wide-tele)
Working distance	wide: 1.0m ~ INF tele: 1.5m ~ INF
Aperture Range	F1.55 ~ F4.5 (wide-tele)
PTZ	
Pan Range	360°endless
Pan speed	Configurable, from 0.1~180°/s Max Preset speed: 180°/s
Tilt Range	From -20° to 90° (auto-flip at 90°)
Tilt Speed	Configurable, from 0.1°~ 150°/s, Max Preset speed: 150°/s
Proportional Zoom	Yes
Preset	360
Cruise	8 cruises, up to 16 presets for each cruises
Track	4 tracks, record time over 3 minutes for each track
Power off memory	Support
Action mode	Preset / Cruise / Track / Random Scan / Boundary Scan / Dome reboot
3D Positioning	Support
PTZ Position Display	Support
Schedule Task	Preset / Cruise / Track / Auto Scan / Random Scan / Dome reboot
IR	
IR Distance	500m
Smart IR	Yes
Network	
Max Resolution	2560×1440
Main stream	25/30fps (2560x1440, 2304x1296, 1920x1080, 1280x720)
Sub stream	25fps (1280x720, 704x576, 352x288) 30fps (1280x720, 704x480, 352x240)
Third Stream	25fps (704x576, 480x240, 352x288) 30fps (704x480, 480x240, 352x240)

SVC	Yes
Video compression	H.265 / H.264 / MJPEG
Protocols	HTTP, HTTPS, ipv4/ipv6, 802.1x, QoS, FTP, SMTP, UPnP, SNMP,DNS, DDNS, NTP, RTSP, RTCP, RTP, TCP/IP, UDP, IGMP, ICMP,DHCP, PPPoE
Simultaneous live view	Up to 10 channels
User / Host	Up to 16 users, 3 levels: Administrator, Advanced User and Normal User
Security Measures	User authentication (ID and PW), Host authentication (MAC address) HTTPS encryption, IEEE802.1x port-based network access control; IP address filtering

Smart Features

Basic event	Motion detection, video tampering alarm, exception (network disconnected, IP address conflict, SD full, SD error)
Face detection	Default off, max 30 human faces per second
Face comparison	
Smart Detection	Intrusion detection, Line crossing detection, Region entrance detection, Region exiting detection, Unattended baggage detection, Object removal detection, Scene change detection, Support alarm triggering by human or vehicle, filtering flag/animal.
Smart Tracking	Manual Tracking, Auto Tracking (human or vehicle by software setting)

System Integration

Alarm Interface	7CH alarm input, 2CH alarm output
Audio Interface	1CH audio input, 2 to 2.4v[p-p] 1kΩ±10% 1CH audio output (line out), impedance 600Ω
Alarm Linkage	Alarm actions, such as Preset, Cruise, Track, Memory Card Video Record, Trigger Recording, Notify Surveillance Center, Upload to FTP/Memory Card, Send Email, etc
Network Interface	1 RJ45 10M/100M Ethernet (Hi-PoE optional)
CVBS	Yes, 1 BNC Connector
RS 485	Pelco-D / P protocol, custom protocols available
Storage	On-Body memory card slot, support microSD/SDHC/SDXC, up to 256G
Web Browser	IE 8-11, Chrome 31.0-44, Firefox 30.0-51, Not support Safari

General

Power	AC24V/DC24V 5A (Max.75W, including max.18w for laser and max.12w for heater) Hi-PoE (Max.60W, including max.18w for laser and max.12w for heater)
Working condition	-50°C~65°C(-40°F~149°F), 90%RH less(non-condensing), Cold start at -40°C
Storage condition	-40°C ~ 70°C; ≤ 95% RH
Protection	IP67 Level, IK10, 6000V Lightning Protection, Surge Protection and Voltage Transient Protection
Material	Aluminum Alloy
Dimensions	Φ 278mm × 435mm (Φ10.94' × 17.12')
Weight	Approx. 8.8 Kg (19.4 lb.)
Certification	KC, CE, FCC